



Cover 1:
Rich Mink

* Oakland Natural not currently available in swatch. Awaiting new photography.

Balmoral Collection

Colours represented are to be used as a guide only.
Please refer to manufacturers swatch for a more accurate colour match.

Please note that colour shadings can vary slightly from each roll of fabric.
We cannot guarantee a precise match to these samples or between cut lengths and upholstered goods.

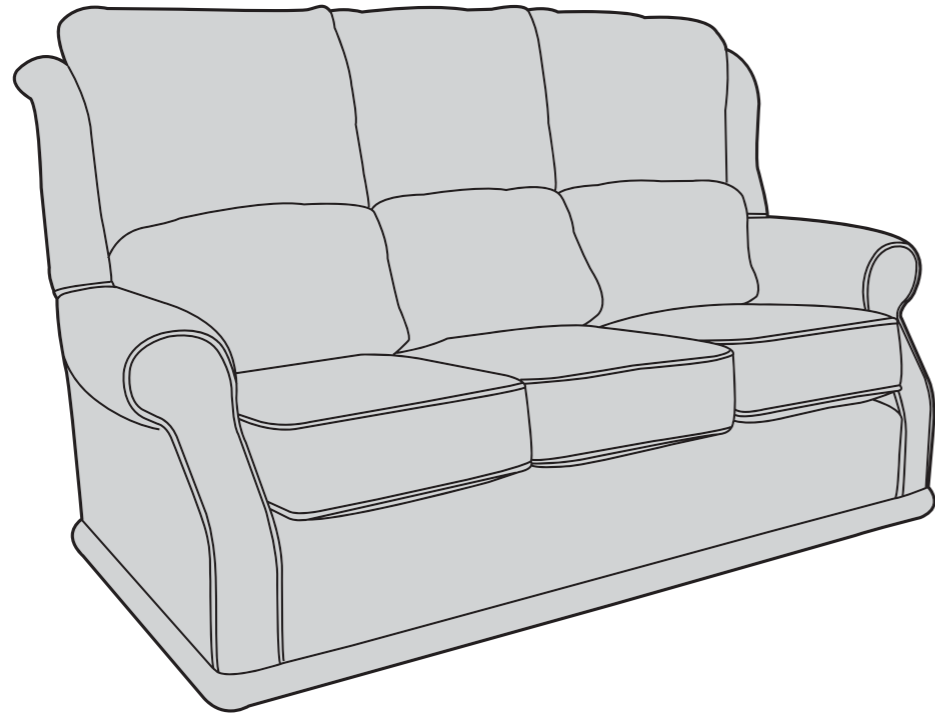
23/02/2021

BALMORAL COVER GUIDE: STANDARD BACK ONLY

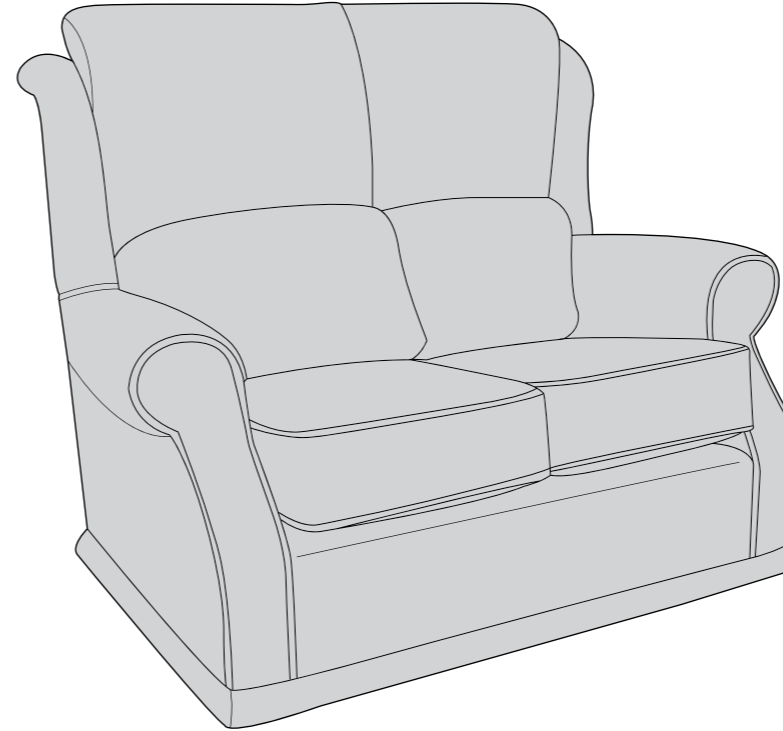
Please use this guide when ordering the following pieces to clarify cover options.



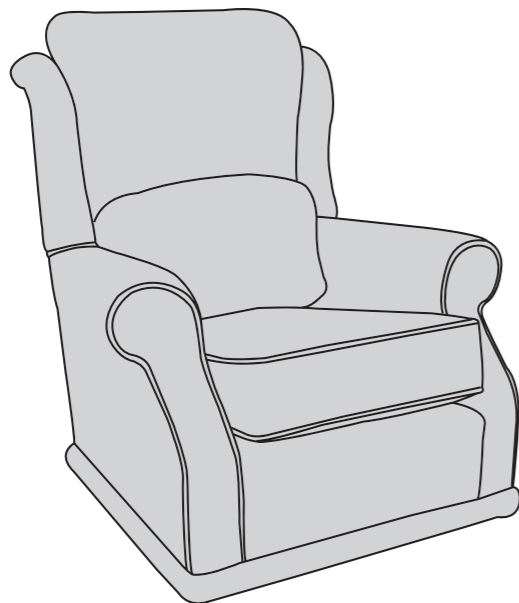
3 Seater Sofa (3ST)



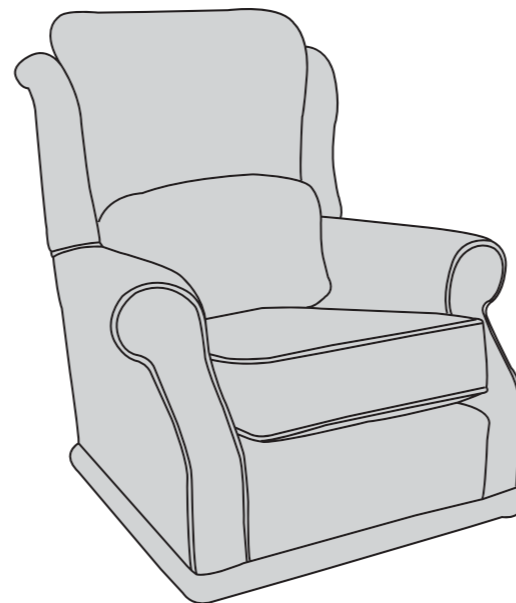
2 Seater Sofa (2ST)



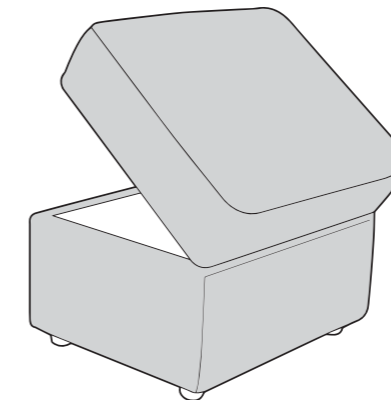
Arm Chair (1ST)



Recliner Chair



Storage Footstool (FSS)



BALMORAL DIMENSIONS (CM)

AVAILABLE PIECES	HEIGHT 1	WIDTH 2	DEPTH 3	SEAT HEIGHT 4	SEAT DEPTH (STD) 5	SEAT WIDTH 6	ACCESS DIAGONAL 7	WEIGHT (KG)
3 SEATER SOFA	110	174	91	N/A	N/A	N/A	N/A	52
2 SEATER SOFA	110	130	91	N/A	N/A	N/A	N/A	41.5
ARM CHAIR	110	83	91	N/A	N/A	N/A	N/A	32
RECLINER CHAIR	103	92	92	N/A	N/A	N/A	N/A	50
STORAGE FOOTSTOOL	45	63	50	N/A	N/A	N/A	75	12.5

* Hardwood & composite board frame.

* Dowelled, screwed, glued & stapled joinery.

* Reversible high density foam seats for added comfort.

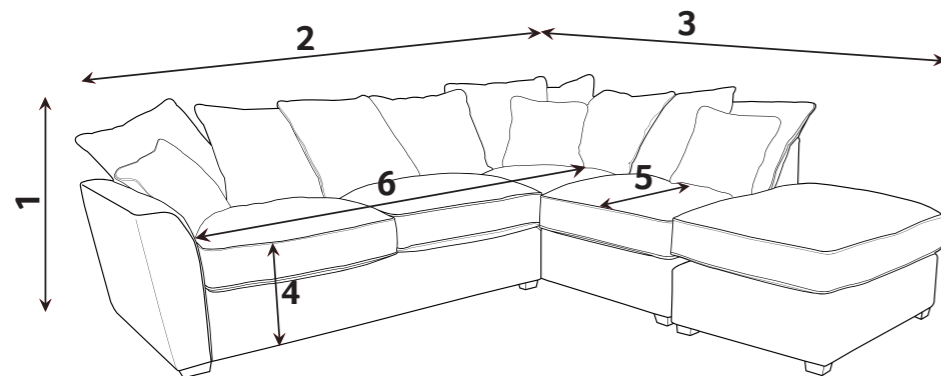
* Zipped on fibre filled backs for added comfort.

* High density foam seats for support & comfort.

* Superloop back springs.

* Elasticated back webbing.

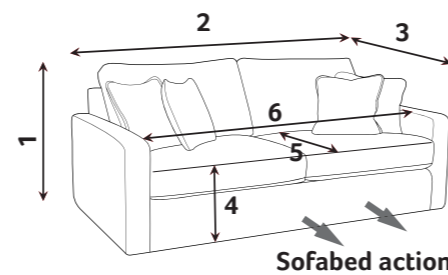
DIMENSION GUIDE



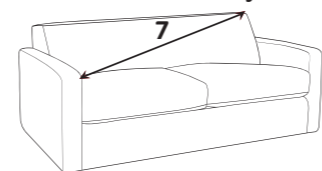
1 - HEIGHT
2 - WIDTH

3 - DEPTH
4 - SEAT HEIGHT

5 - SEAT DEPTH (STD & PILLOW)
6 - SEAT WIDTH



Check the diagonal access dimension to ensure furniture will fit in your home.



7 - DIAGONAL ACCESS

Illustrations used for reference only.

HIGH DENSITY FOAM SEATS

Our high density foam seat interiors offer a comfortable and supportive sit whilst maintaining their shape.

CARE GUIDE

To improve the longevity of your hand-made furniture, we recommend rotating cushions (where applicable).

For further information on maintaining your furniture, please refer to the Care Guide located under the seat platform.